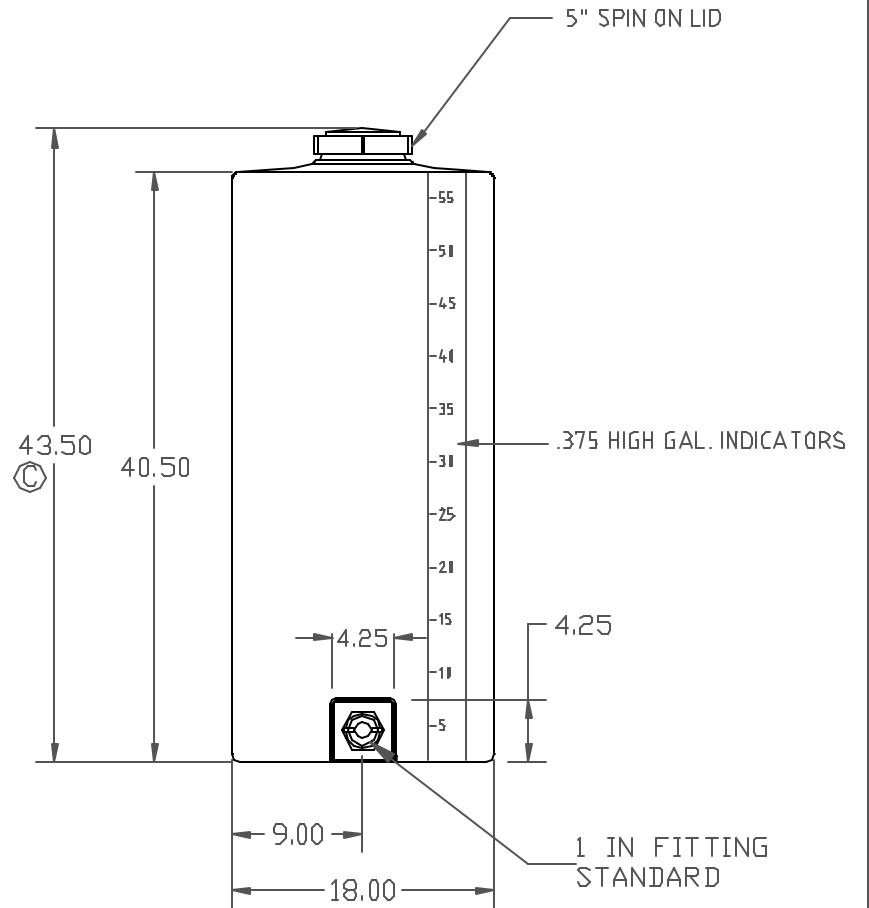
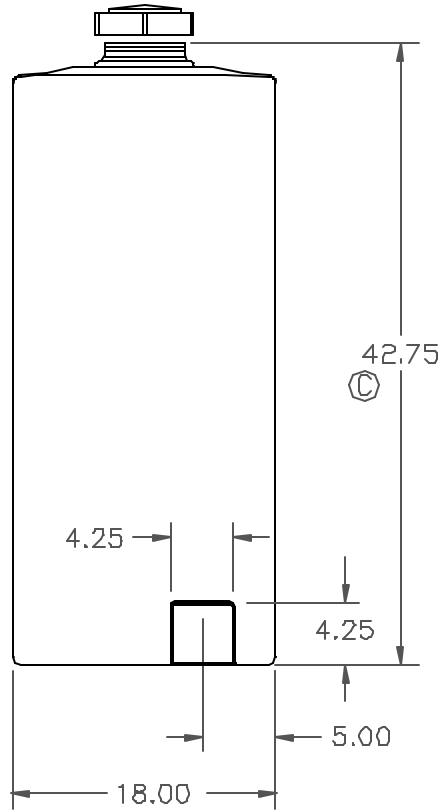
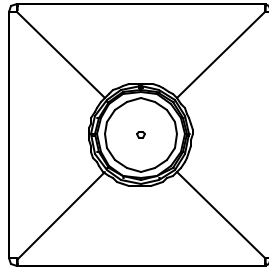
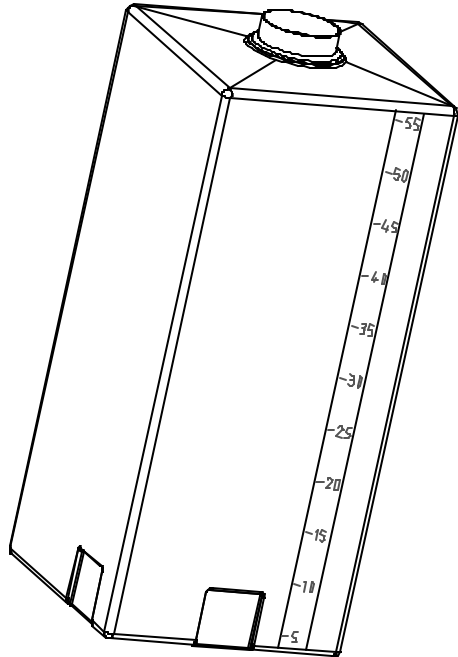
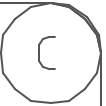


PROPRIETARY DATA

PROPERTY OF DEN HARTOG INDUSTRIES, INC. INFORMATION FURNISHED HEREIN IS THE PROPERTY OF DEN HARTOG INDUSTRIES, INC. AND SHALL NOT BE USED, DISCLOSED TO OTHERS, OR COPIED WITHOUT THE EXPRESSED WRITTEN CONSENT OF DEN HARTOG INDUSTRIES, INC. ALL RIGHTS RESERVED.

SP0055-MM



CUSTOMER AUTHORIZED APPROVAL \_\_\_\_\_

DATE \_\_\_\_\_

C	UPDATE DIMENSION	4/3/17	DHJ	DRAWN / DATE	MATERIAL
B	ADDED WALL THICKNESS	11/21/06	DHJ	REH 12/31/98	
A	ADDED FITTING AND HEIGHT INFO	6/15/06	NVE	APPRD. / DATE	POLYETHYLENE - MOBIL 134 REFERENCE MATERIAL DATA SHEET FOR SPECIFIC PROPERTIES.
REV	DESCRIPTION	DATE	APPRD	REH 12/31/98	

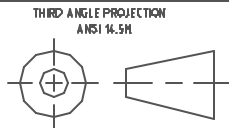


**ACE ROTO-MOLD**  
A DIVISION OF DEN HARTOG INDUSTRIES, INC.  
4118 HWY. 61 BLVD., BOX 421, HOSPERS, IOWA 51238

CLIENT / DESCRIPTION

SPECIALTY 55 GALLON RECTANGULAR TANK-MM

ALL DIMENSIONS ARE IN DECIMAL INCHES  
TOLERANCES UNLESS OTHERWISE SPECIFIED  
± 1% @ 68° F



- NOTES:
- 2.7% SHRINK ALLOWANCE
  - NO COLOR - NATURAL
  - SHOT WEIGHT 31 LBS.
  - .290 WALL THICKNESS

SCALE

N.S.

PART NO.

SP0055-MM