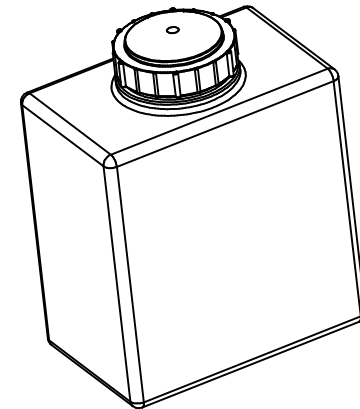
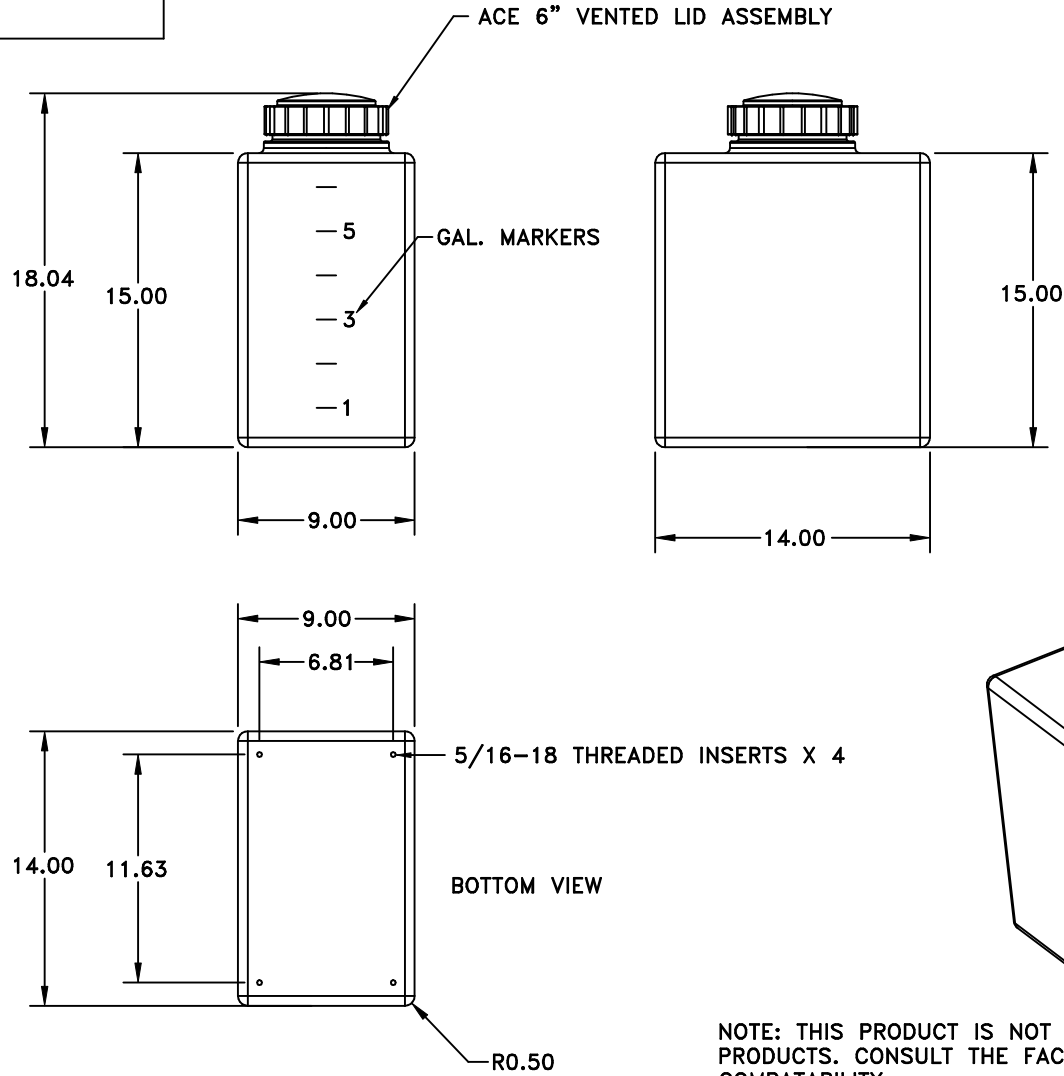


PROPRIETARY DATA

SP0007-RT



PROPERTY OF ACE ROTO-MOLD MFG., INC. INFORMATION FURNISHED HEREIN IS THE PROPERTY OF ACE ROTO-MOLD MFG., INC. AND SHALL NOT BE USED, DISCLOSED TO OTHERS, OR COPIED WITHOUT THE EXPRESSED WRITTEN CONSENT OF ACE ROTO-MOLD MFG., INC. ALL RIGHTS RESERVED.



NOTE: THIS PRODUCT IS NOT DESIGNED TO CONTAIN PETROLEUM PRODUCTS. CONSULT THE FACTORY REGARDING CHEMICAL COMPATIBILITY

		DRAWN / DATE REH 8/15/05		MATERIAL POLYETHYLENE - MOBIL 135 REFERENCE MATERIAL DATA SHEET FOR SPECIFIC PROPERTIES.	
A	TOLERANCE WAS +/- .5%	10/9/01	APPRD. / DATE REH 8/15/05		
REV	DESCRIPTION	DATE	APPRD	NOTES: 1. NATURAL COLOR 3. SHOT WEIGHT 8 LBS.	
ALL DIMENSIONS ARE IN DECIMAL INCHES TOLERANCES UNLESS OTHERWISE SPECIFIED ± 2% @ 68° F			THIRD ANGLE PROJECTION ANSI 14.5M 		

 ACE ROTO-MOLD A DIVISION OF DEN HARTOG INDUSTRIES, INC. 4018 HWY. 60 BLVD., BOX 421, HOSPERS, IOWA 51238		CLIENT / DESCRIPTION 7 GALLON RECTANGULAR TANK	
		SCALE N.S.	PART NO. SP0007-RT