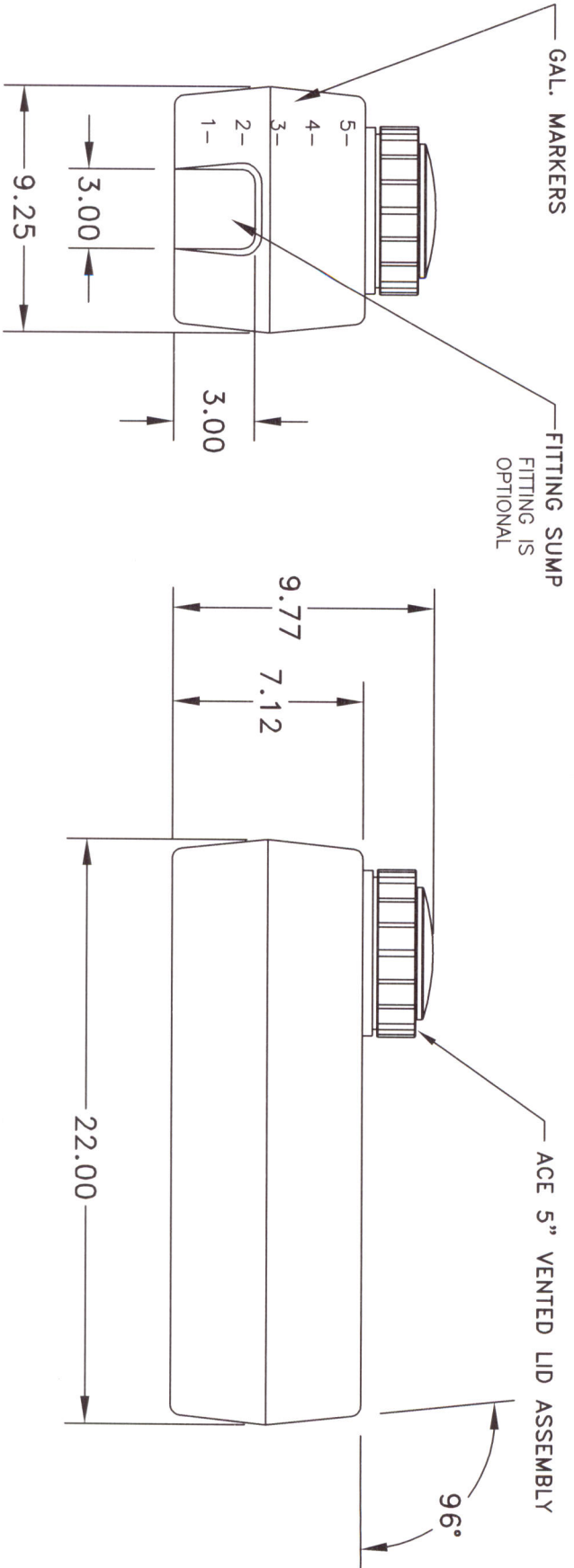
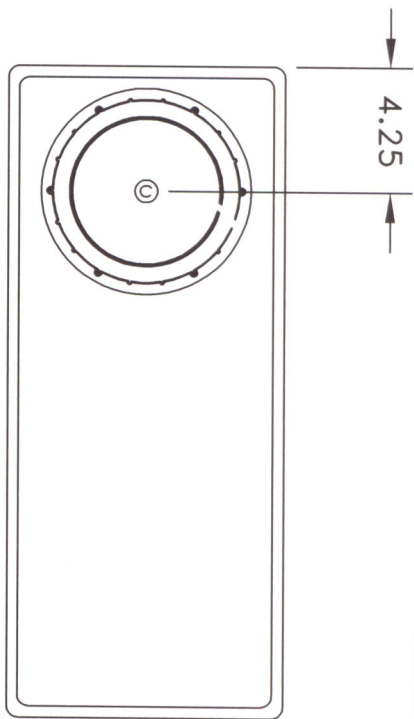


SP0005-RT

A

NOTE: THIS PRODUCT IS NOT DESIGNED TO CONTAIN PETROLEUM PRODUCTS. CONSULT THE FACTORY REGARDING CHEMICAL COMPATIBILITY



SHIPPING WEIGHT = 6LB.

DRAWN / DATE		REH/12/30/01	
APPRD. / DATE		DHJ/12/30/01	
MATERIAL / SHOT WEIGHT		M111	M135
		5 LB.	U625
			P938
CLIENT / DESCRIPTION			
ACE 5 GALLON RECTANGULAR TANK			
SCALE		PART NO.	
N.S.		SP0005-RT	

REV	DESCRIPTION	DATE	APPRD
A	WAS 4LB. CCN1389	7/18/07	

ALL DIMENSIONS ARE IN DECIMAL INCHES
TOLERANCES UNLESS OTHERWISE SPECIFIED

+ 2% @ 68° F

